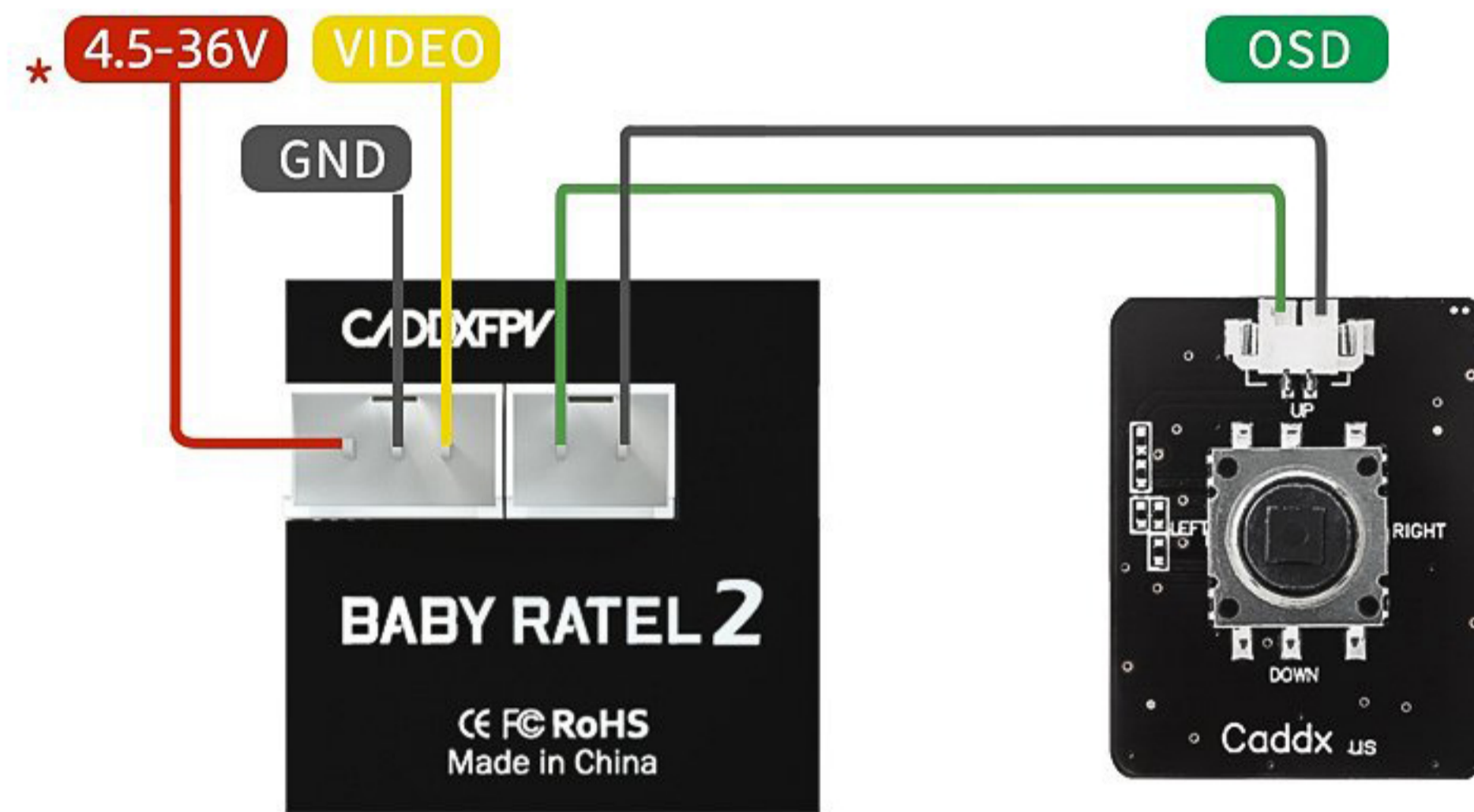
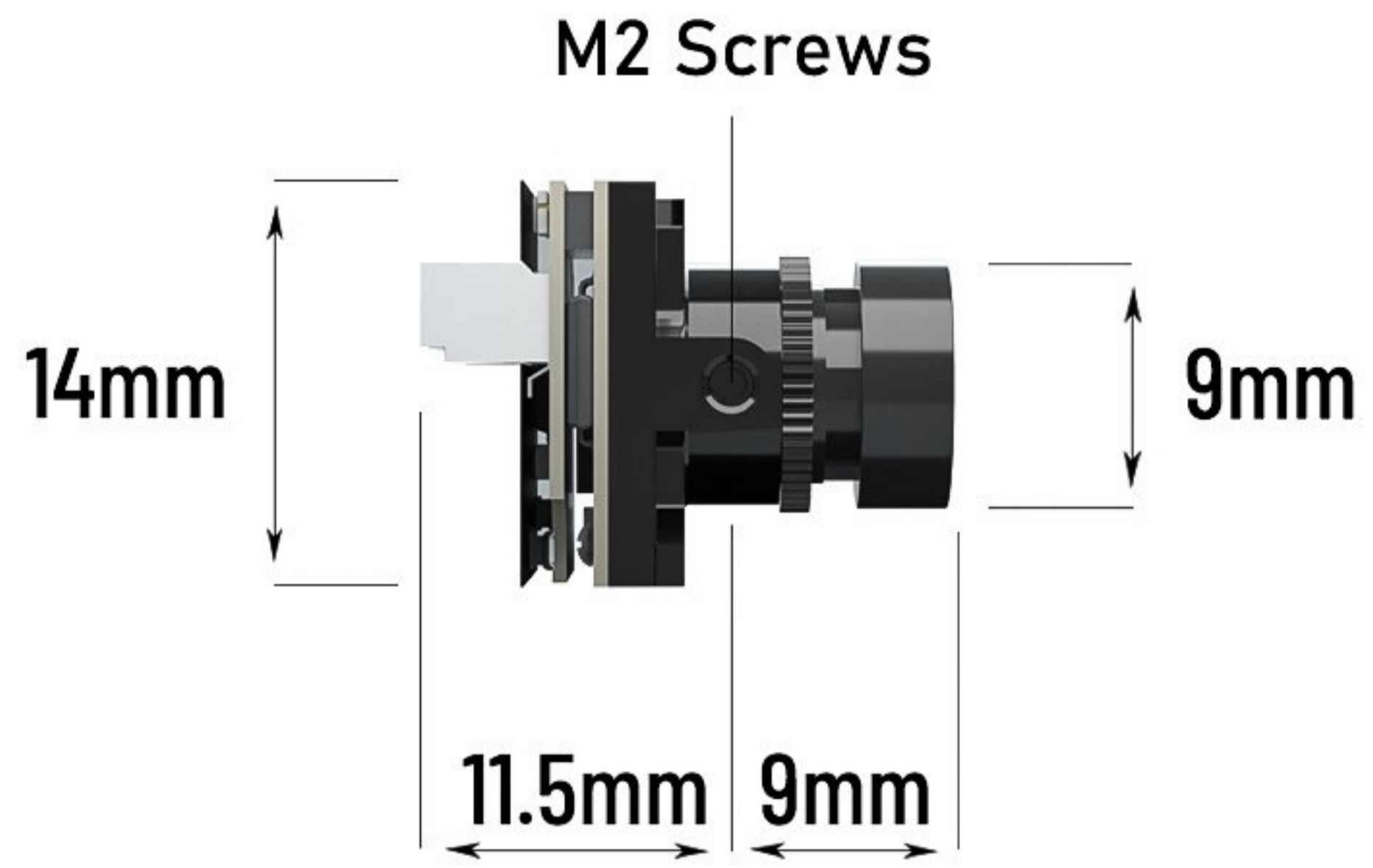


V1.0

### Connection



\*5V-160mAH  
12V-70mAH

Short press the menu board to enter osd settings



### Camera menu

#### MAIN MENU

AE ↵  
WB ↵  
DAY&NIGHT ↵  
IMAGE ENHANCE ↵  
VIDEO SETTING ↵  
LANGUAGE ↵  
          <ENGLISH>  
RESET  
SAVE EXIT  
EXIT

#### AE

BRIGHTNESS <12>  
EXPOSURE MODE  
          GLOBE  
ADVANCED  
RETURN

BRIGHTNESS (0-30)  
EXPORSURE  
MODE (GLOBE/ BLC)  
BLC (1-8)

#### WE

MODE  
          <ATW>  
RETURN

MODE (ATW/MWB)  
RGAIN (0-32)  
BGAIN (0-32)

#### DAY NIGHT

MODE  
          <EXT>  
RETURN

MODE (BW/AUTO  
/COLOR/EXT)

#### IMAGE ENHANCE

CONTRAST  
          <AUTO>  
SHARPNESS  
          <AUTO>  
COLOR GAIN  
          <AUTO>  
3DNR  
          <AUTO>  
RETURN

CONTRAST (MANUAL/ AUTO)  
SHARPNESS (MANUAL/AUTO)  
COLOR GAIN (MANUAL/AUTO)  
3DNR (MANUAL/AUTO)

#### VIDEO SETTING

VIDEO STANDARD  
          <PAL>  
HD FORMAT  
          CVBS  
IMAGE RATIO  
          <4:3>  
D-WDR  
          <OPEN>  
RETURN

VIDEO STANDARD (PAL/NTSC)  
IMAGE RATIO (4:3/16:9)  
WDR (OPEN/CLOSE )

### Specifications

Model	Baby Ratel 2
Image Sensor	1/1.8" Inch sensor
Horizontal Resolution	1200TVL
TV System	NTSC & PAL (changeable)
IMAGE	16:9 & 4:3 (changeable)
WDR	Super WDR (HDR)
Min. Illumination	Starlight
FOV	165°
Electronic Shutter	PAL: 1/50~100,000; NTSC: 1/60~100,000
Camera OSD	Separate OSD
Language	(ENGLISH/中文/繁體中文/русский /ESPAÑOL/ITALIANO/ FRANCAIS/ POLSKIM/ PORTUGUES/日本語)
Day/Night	Auto/Color/B&W/EXT
Dimensions	14mm*14mm
Wide Power Input	DC 4.5-36V
Weight	3 g (N.W.)