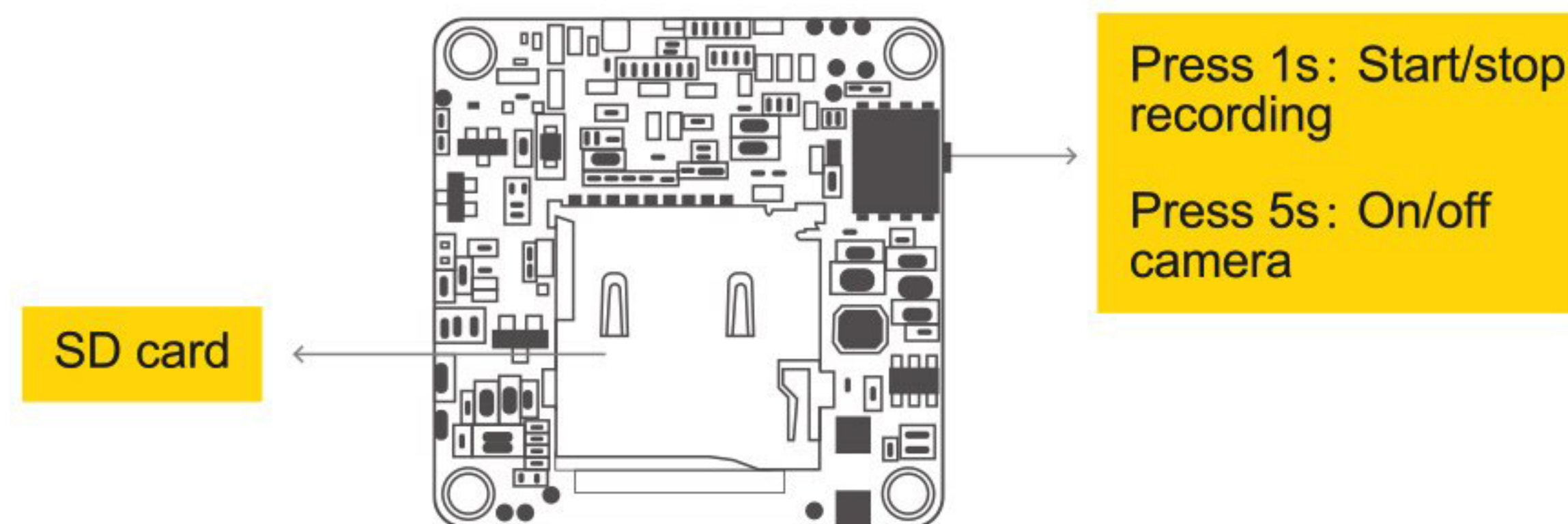


# CADDXFPV

## -LORIS MANUAL-

V1.0



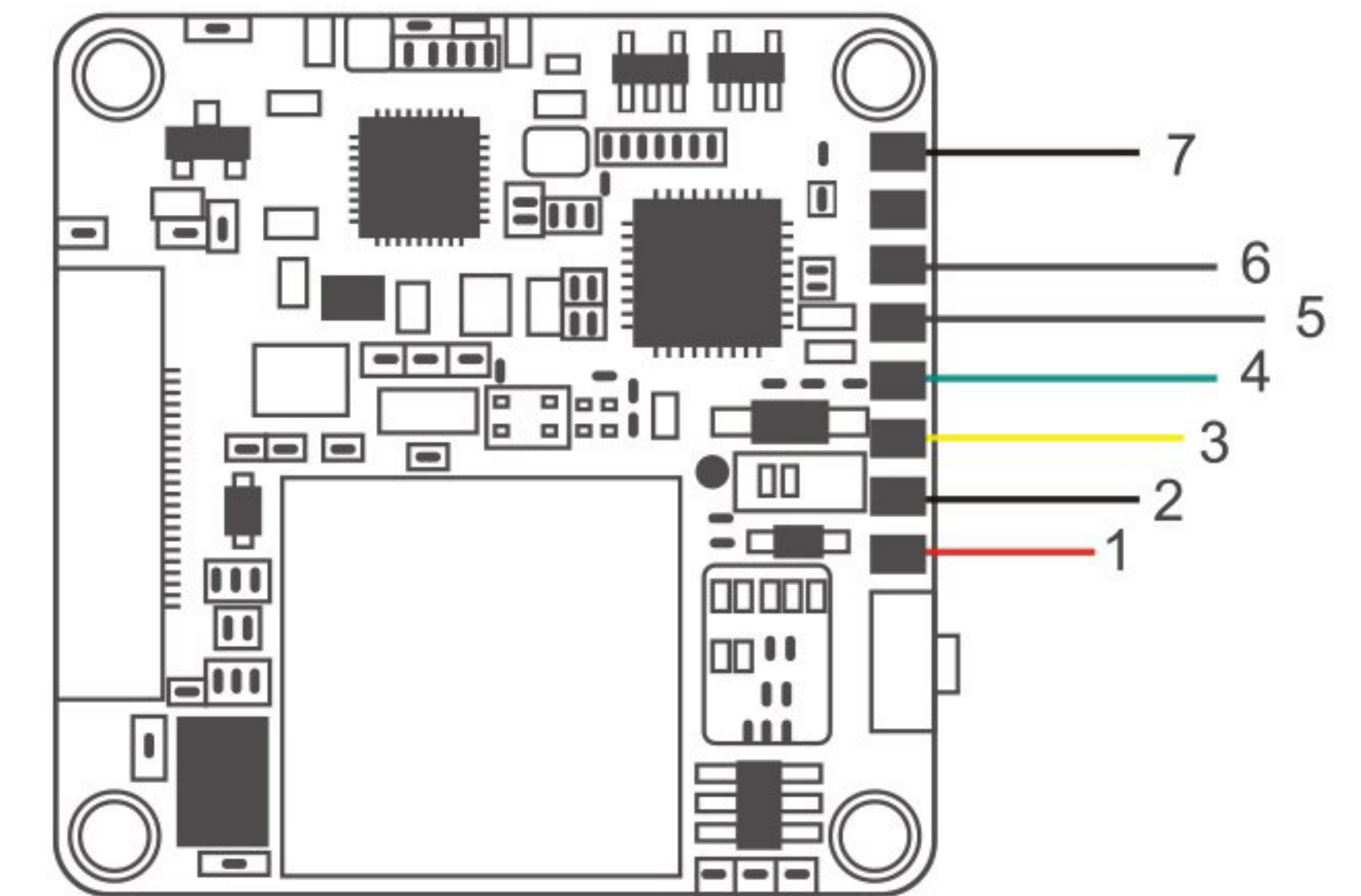
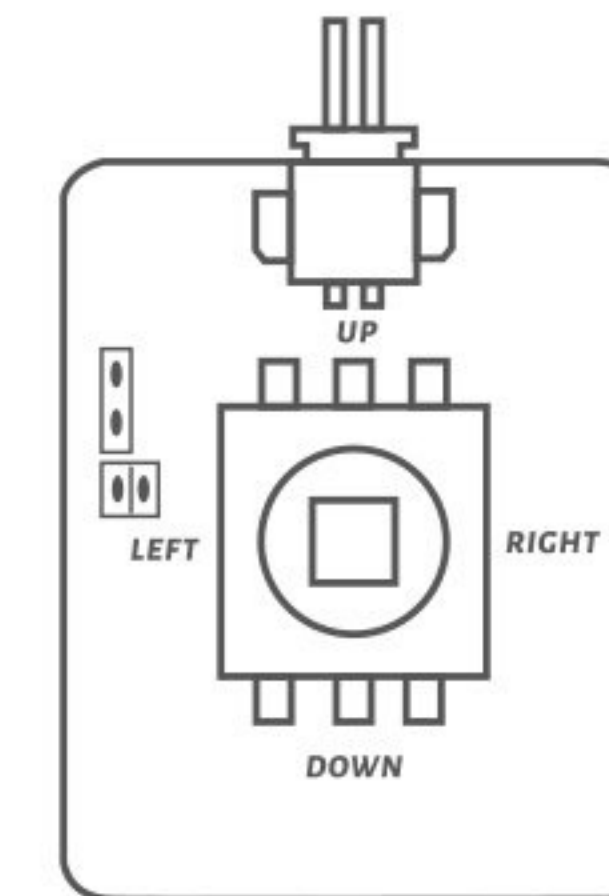
MODEL	LORIS
Horizontal Resolution	800TVL
Video Resolution	1080P/60FPS 1080P/ 90 FPS 2.7K/60FPS 4K/30FPS 4K/60FPS (REAL 3.5K/60FPS)
FPV/Recording FOV	165°
Lens	1.8mm lens
FPV latency	40ms
TV System	NTSC & PAL (changeable)
Audio	Digital MIC

## LORIS QUICK OPERATION GUIDE

**01 RIGHT BUTTON**  
Press the RIGHT button for 3s-5s to activate video recording in the meanwhile the light on the lower right corner will flicker.

**02 LEFT BUTTON**  
Press the LEFT button for 3s-5s to stop video recording.

**03 MIDDLE BUTTON**  
The MIDDLE button is menu button.



1	VCC	5	RX
2	GND	6	TX
3	VIDEO	7	AGND
4	MENU		

It is recommended to format the TF card in the OSD menu before using it,  
Or use TF card reader to format Fat 32 64kb on computer  
Maximum support 128g memory card

Min.Illumination	0.01LUX
WDR	DWDR
FLY OSD	Yes
Video Files	MP4
Electronic Shutter	PAL:1/50~100,000;NTSC:1/60~100,000
Video Output	CVBS
Power Input	DC 5-20V
DNR	3DNR
Work Temperature	-20°C ~ +60°C
Weight	10.2g
Dimensions	DVR board: 28*29mm / Camera 14*14mm (can be extended into 19*19mm)
<p>⚠ Please use the micro SD card with high temperature resistance: Poor-quality micro SD card may cause video lagging or frame drop Need to use SD card above U3 for 4k recording</p>	

## PACKING LIST

■ Loris Camera	x1
■ 5D-OSD menu board	x1
■ FPV silicone cable (2pin plug for both sides)	x1
■ Adapter 20x20mm mounting plate	x1
■ Screws	x1
■ 14mm-19mm adapter	x1
■ Warranty card	x1

Visit [www.caddxfpv.com](http://www.caddxfpv.com) for the latest information for this product.