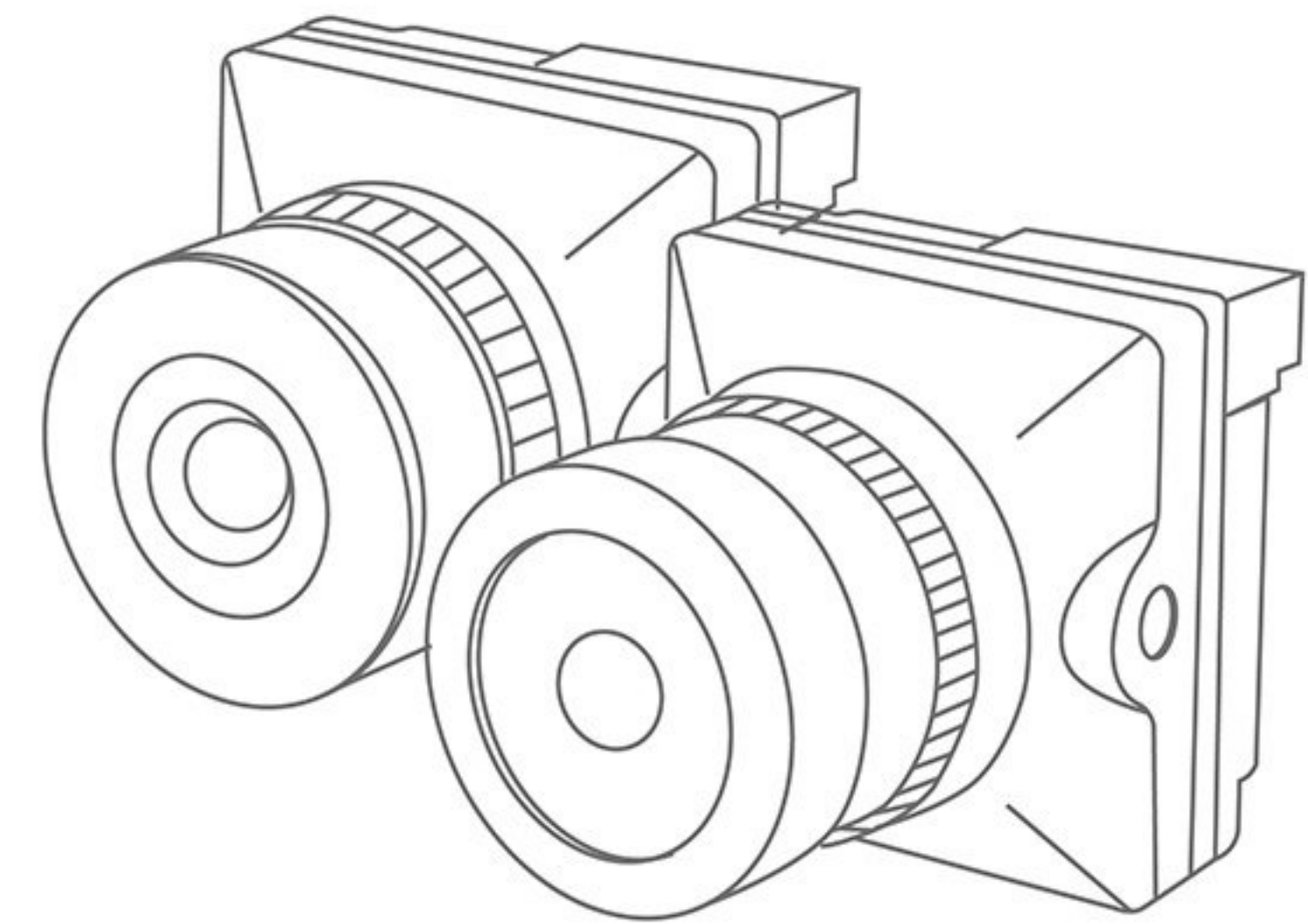
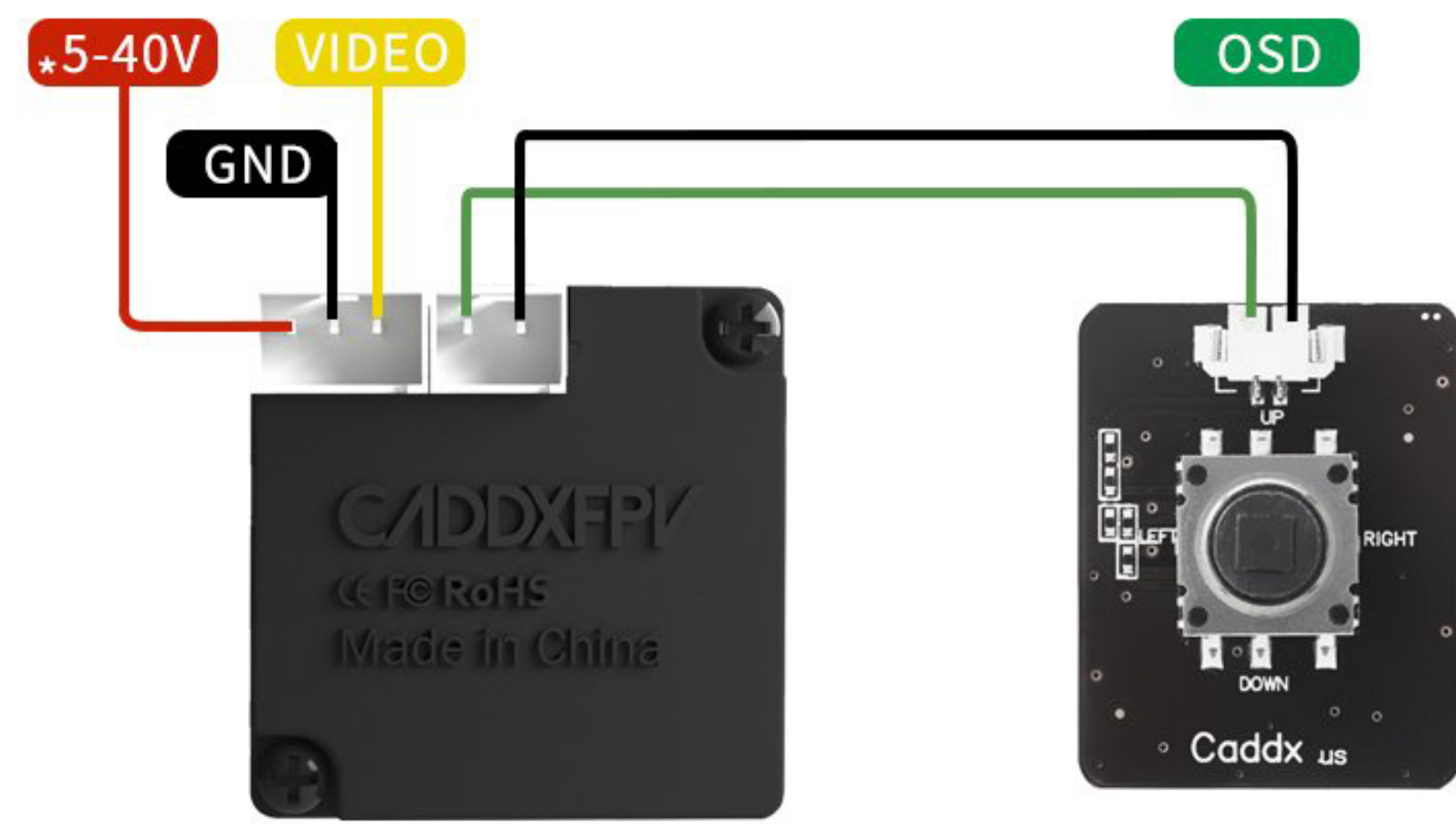
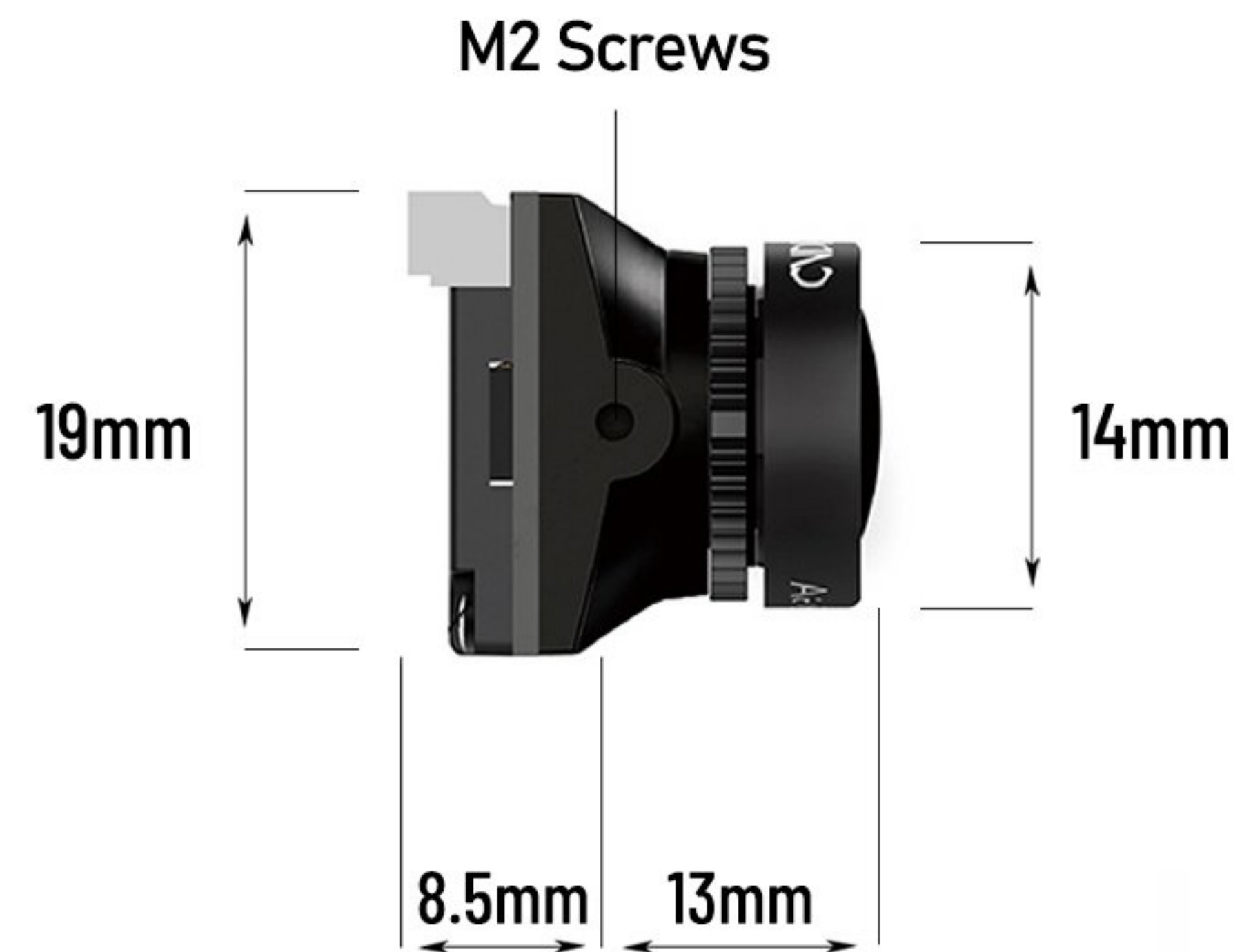


RATEL 2 USER MANUAL



V1.0

Connection



*5V-150mAH
12V-60mAH

Short press the menu board
to enter osd settings

Camera menu

MAIN MENU

AE ↑
WB ↑
DAY&NIGHT ↑
IMAGE ENHANCE ↑
VIDEO SETTING ↑
LANGUAGE ↑
<ENGLISH>

RESET
SAVE EXIT
EXIT

AE

BRIGHTNESS <12>
EXPOSURE MODE
GLOBE
ADVANCED
RETURN

BRIGHTNESS (0-30)
EXPORSURE
MODE (GLOBE/ BLC)
BLC (1-8)

WE

MODE
RETURN <ATW>

MODE (ATW/MWB)
RGAIN (0-32)
BGAIN (0-32)

DAY NIGHT

MODE
RETURN <EXT>

MODE (BW/AUTO
/COLOR/EXT)

IMAGE ENHANCE

CONTRAST <AUTO>
SHARPNESS <AUTO>
COLOR GAIN <AUTO>
3DNR <AUTO>
RETURN

CONTRAST (MANUAL/ AUTO)
SHARPNESS (MANUAL/AUTO)
COLOR GAIN (MANUAL/AUTO)
3DNR (MANUAL/AUTO)

VIDEO SETTING

VIDEO STANDARD <PAL>
HD FORMAT
CVBS
IMAGE RATIO <4:3>
D-WDR <OPEN>
RETURN

VIDEO STANDARD (PAL/NTSC)
IMAGE RATIO (4:3/16:9)
WDR (OPEN/CLOSE)

Specifications

Model	Ratel 2
Image Sensor	1/1.8" Inch sensor
Horizontal Resolution	1200TVL
TV System	NTSC & PAL (changeable)
IMAGE	16:9 & 4:3 (changeable)
WDR	Super WDR (HDR)
Min. Illumination	Starlight
FOV	165°/160°
Electronic Shutter	PAL: 1/50~100,000; NTSC: 1/60~100,000
Camera OSD	Separate OSD
Language	(ENGLISH/中文/繁體中文/русский /ESPAÑOL/ITALIANO/ FRANCAIS/ POLSKIM/ PORTUGUES/日本語)
Day/Night	Auto/Color/B&W/EXT
Dimensions	19mm*19mm
Wide Power Input	DC 5-40V
Weight	5.9g/8.5g (N.W.)