

# MAMBA STACK

## MAMBA F405 MK2 V2



### Stack Specifications:

MCU	STM32F405
Frequency	168MHz
GYRO	Version A: Gyro MPU6000 Version B: Gyro ICM-42688-P
OSD	AT7456E
Blackbox	16M Memory
Uarts	3 Set
Receiver	CRSF/SBUS/IBUS/DSM
I2C	<b>Yes</b>
Buzzer Pad	Yes
CURR Pad	Yes
ESC Signal	<b>4 Set</b>
BEC 3.3V	0.5A
BEC 5V	2A
BEC 9V	2A
BF LED	<b>Yes</b>
AIR UNIT PORT	<b>Yes</b>
BEC Protection	<b>Yes</b>
Receiver Protection	<b>Yes</b>
TVS Protection	<b>Yes</b>
Input	6S Lipo
Soft Ware	Betaflight
Mounting	30.5x30.5mm/M3
Size	36x38x8mm
Weight	9g

### The Default Port:

UART 1	Receiver
UART 3	VTX
UART 6	TELE

### Target: FURYD40SD

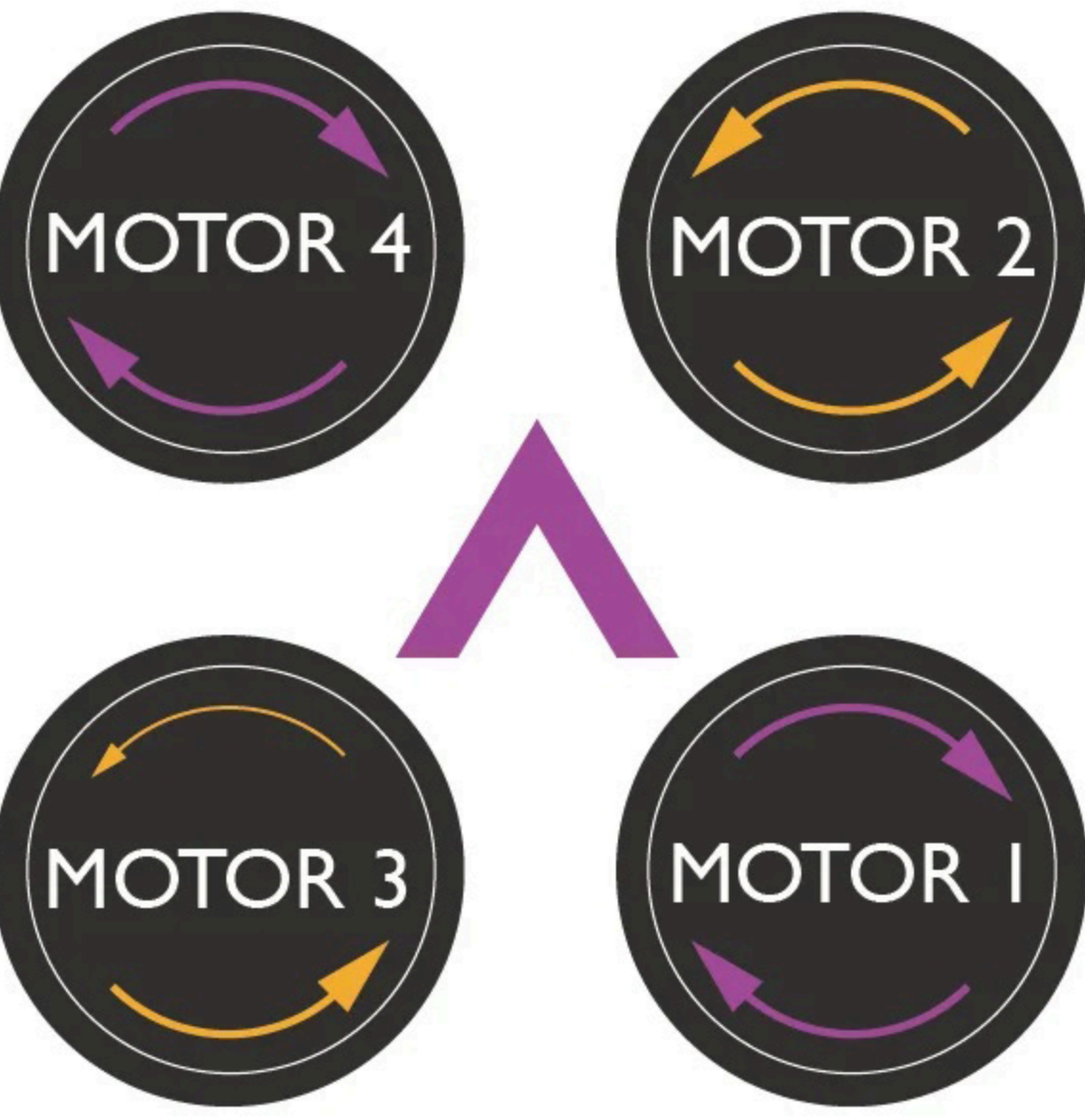
Main firmware	STM32 F405
Config file	FURYF40SD

### Power indicator

Through the LED status (on/off), you can know whether the BEC works normally.

Please follow the flight control sequence.

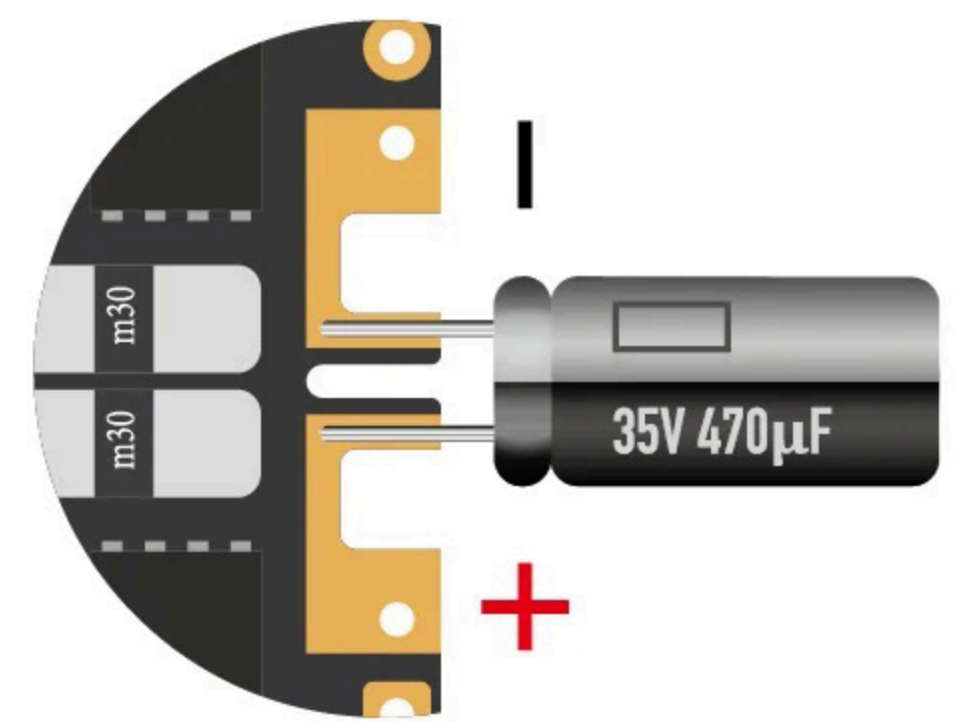
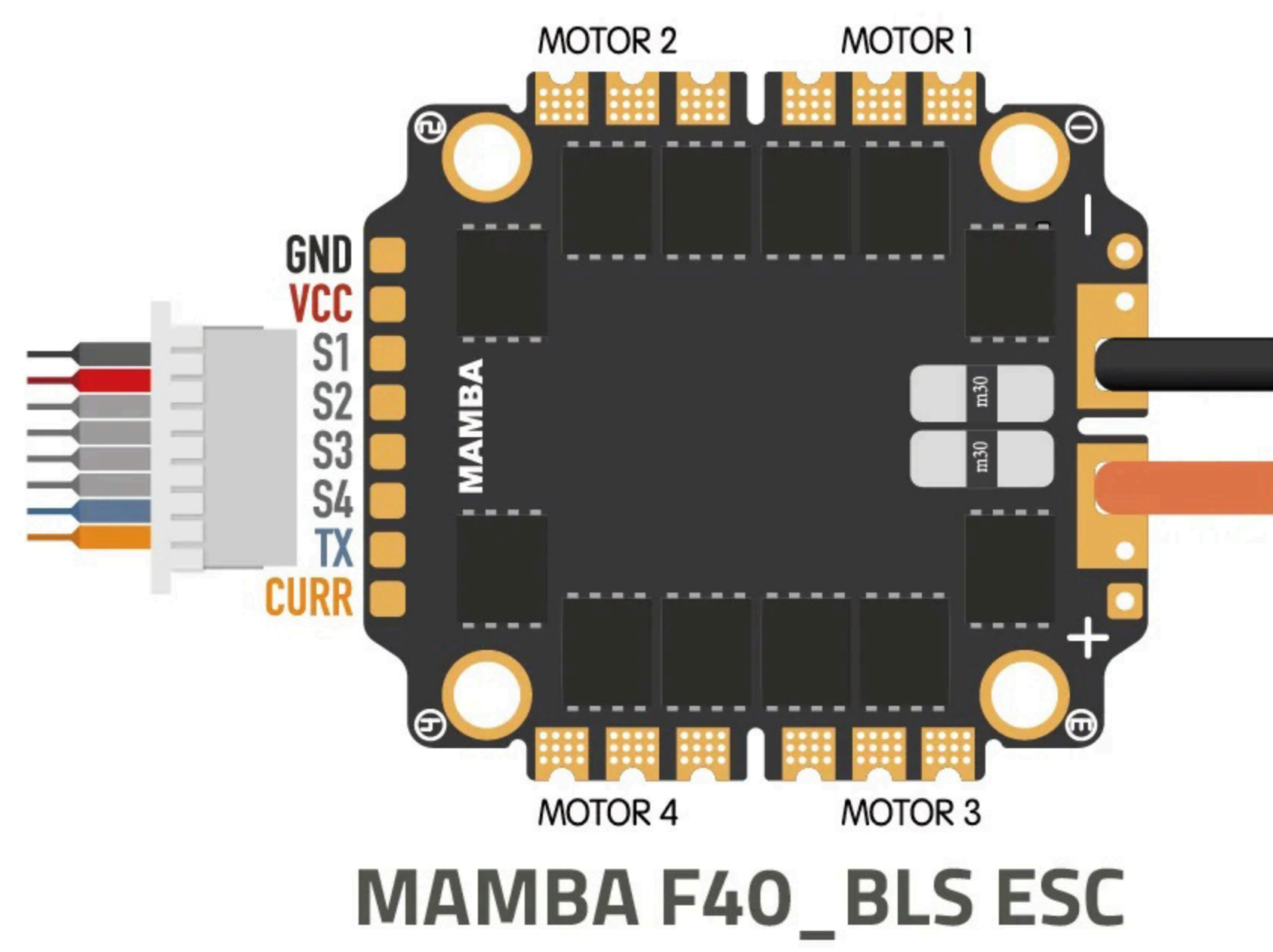
	GYRO		Blue
	MCU		Orange
	9V		Green
	5V		White
	3.3V		Red
	VCC		Green



### Adapt to ESC and parameters

#### MAMBA F40\_BLS

CURR	Yes
Output Current	40A
Peak Current	50A
Input	3-6S Lipo
BL	BLHeli S
Target	CH40
protocol	Dshot 300/600
Mounting	30.5x30.5mm, Ø 3
Size	45.0x41.0x6.8mm
Weight	14g

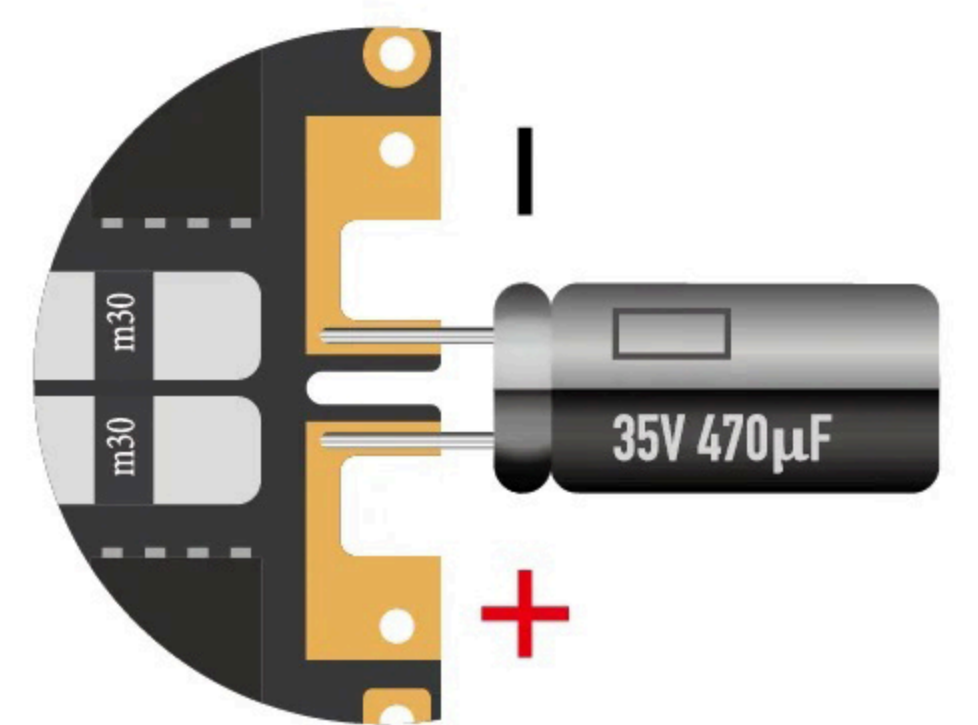
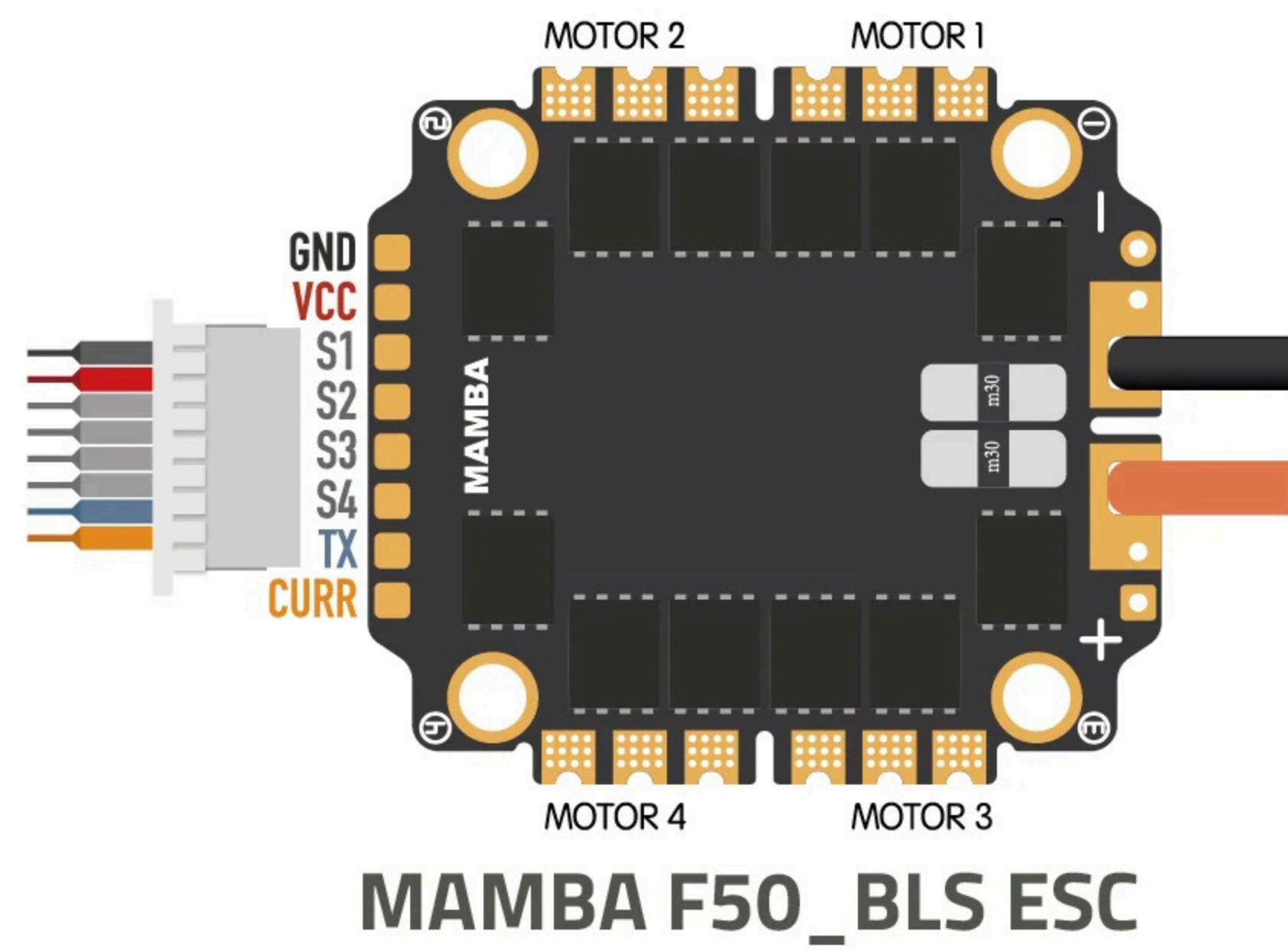


**Capacitor requested when using 6S battery**

MAMBA F40_BLS ESC		Amperage Meter	
Battery	0.00A	80	Scale[1/10th mV/A]
		0	Offset [mA]

#### MAMBA F50\_BLS

CURR	Yes
Output Current	50A
Peak Current	60A
Input	3-6S Lipo
BL	BLHeli S
Target	CH40
protocol	Dshot 300/600
Mounting	30.5x30.5mm, Ø 3
Size	45.0x41.0x6.8mm
Weight	14g

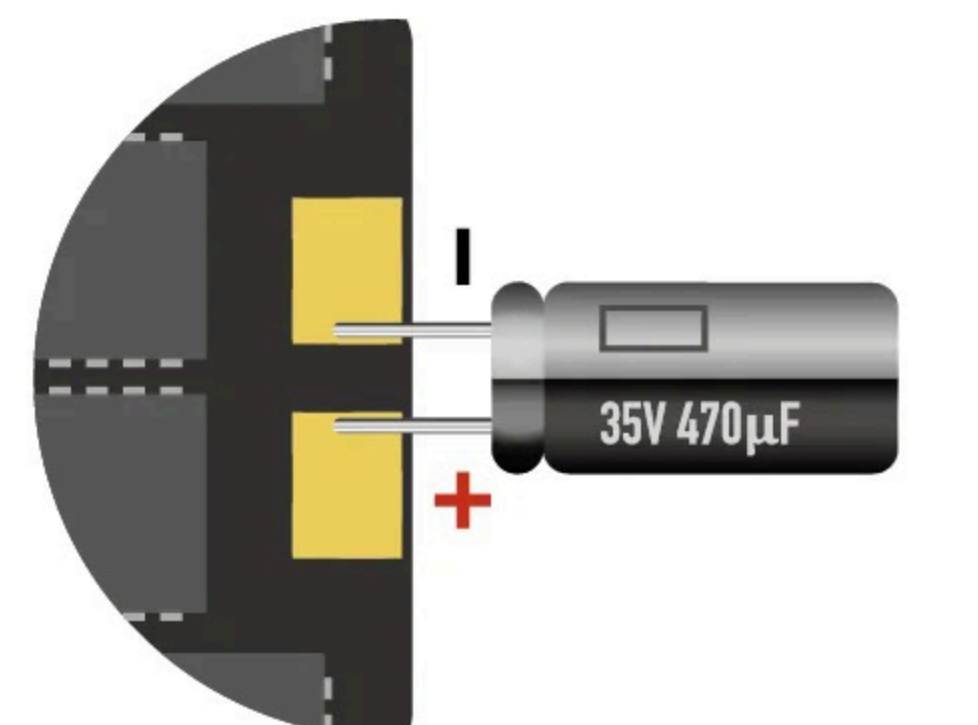
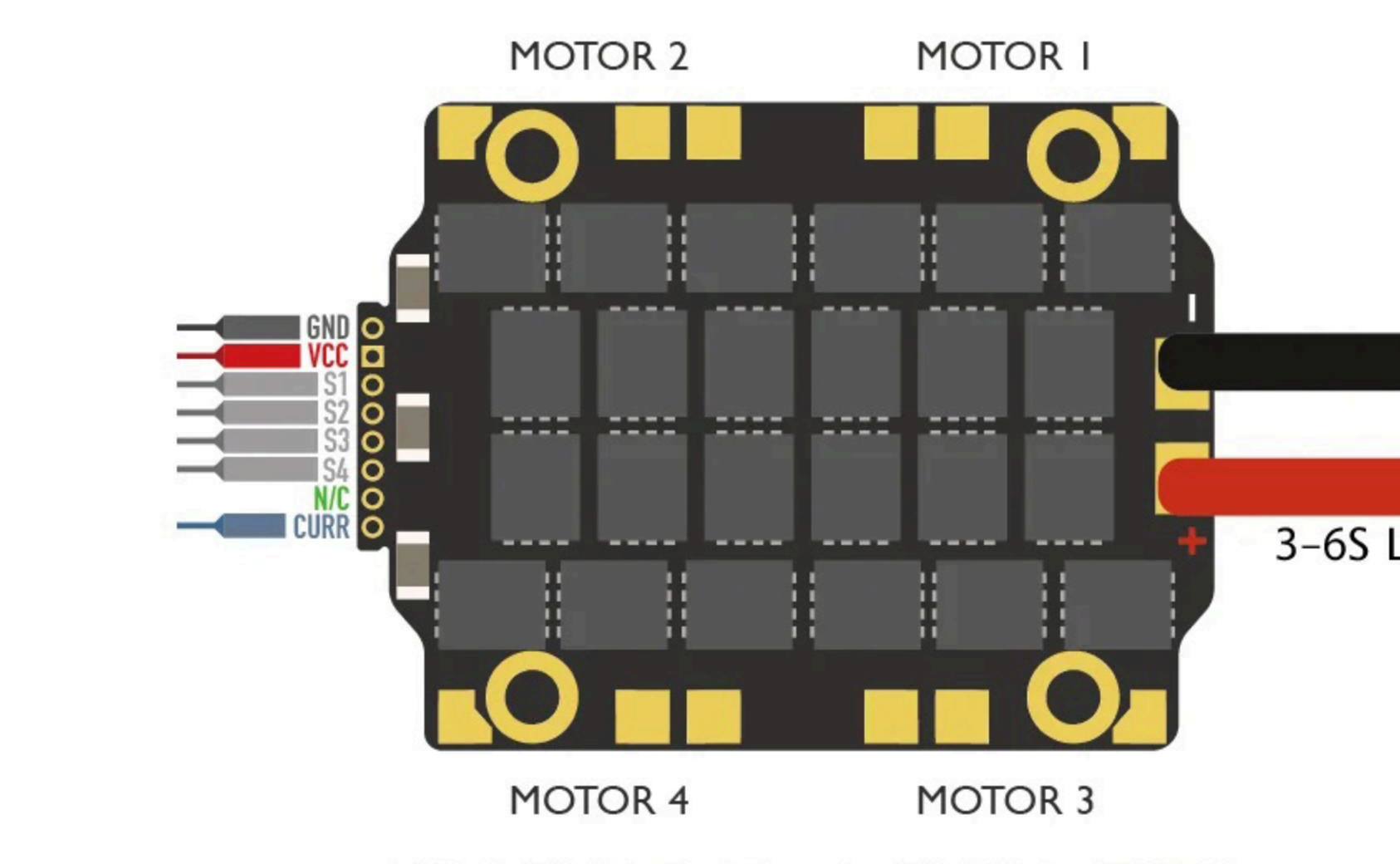


**Capacitor requested when using 6S battery**

MAMBA F50_BLS ESC		Amperage Meter	
Battery	0.00A	80	Scale[1/10th mV/A]
		0	Offset [mA]

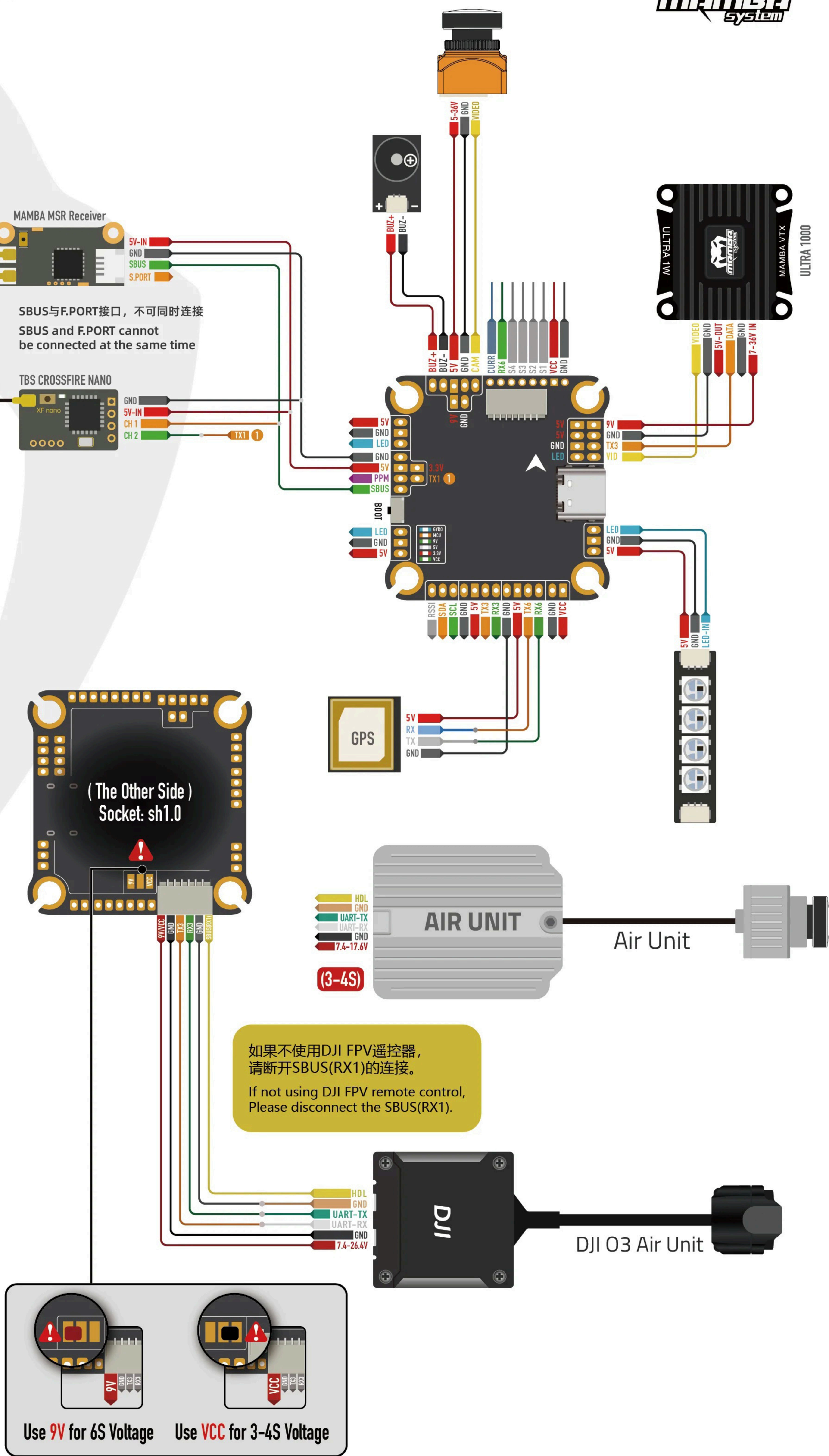
#### MAMBA F40 MK2

CURR	Yes
Output Current	40A
Peak Current	50A
Input	3-6S Lipo
BL	BLHeli S
Target	CH40
protocol	Dshot 300/600
Mounting	30.5x30.5mm, Ø 3
Size	45.0x41.0x6.5mm
Weight	12g



**Capacitor requested when using 6S battery**

MAMBA F40 MK2 ESC		Amperage Meter	
Battery	0.00A	255	Scale[1/10th mV/A]
		0	Offset [mA]



MAMBA MSR Receiver  
SBUS与F.PORT接口，不可同时连接  
SBUS and F.PORT cannot be connected at the same time

(The Other Side)  
Socket: sh1.0

如果不使用DJI FPV遥控器，  
请断开SBUS(RX1)的连接。  
If not using DJI FPV remote control,  
Please disconnect the SBUS(RX1).

Use 9V for 6S Voltage    Use VCC for 3-4S Voltage

Betaflight是开源软件，自行刷写固件将可能导致产品工作不稳定。

为了你的安全，地面站设置必须拆除螺旋桨。

Since Betaflight is open source software, and self-flashing the firmware will likely result in an unstable working product.

For your safety, the propeller must be removed for betaflight setup.